

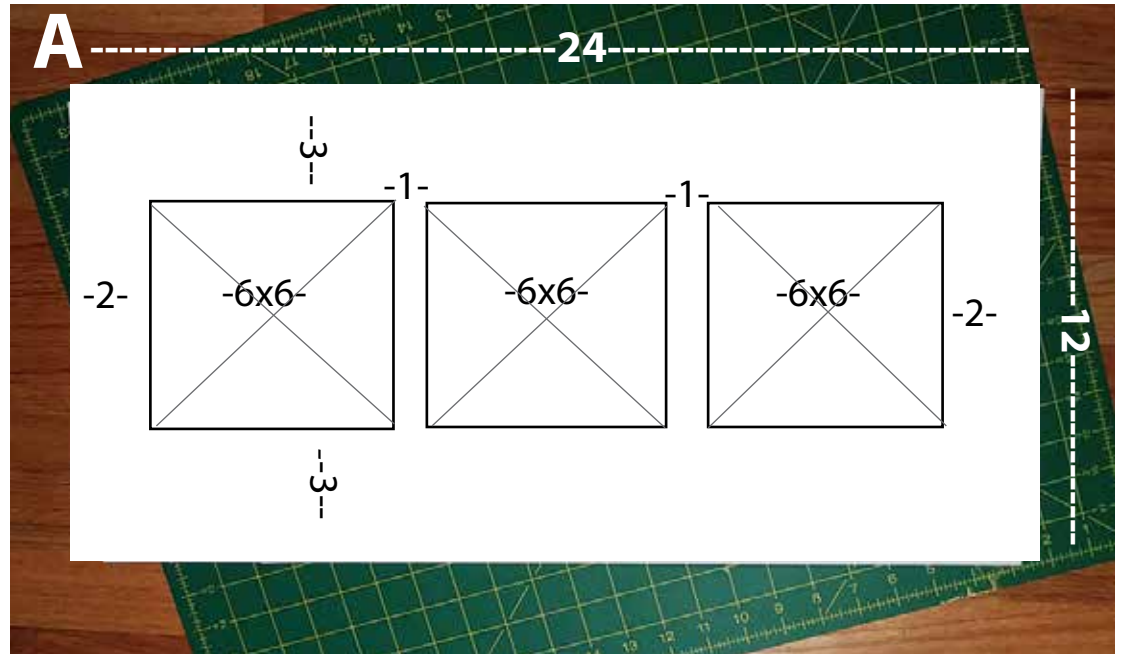
## How to cut a mat for your Creative Collage.

If you have a long rectangular frame, size your collage base paper and your mat to fit. Three square windows work well, but windows may also be rectangular if that is a better fit for your frame.

This example uses a sheet of posterboard cut to 12 x 24 inches.

This size will allow three 6 x 6- inch windows, with 1 inch in between, 2 inches at each end, and 3 inches on each side (A).

Using a straight edge and an exacto knife or single-sided razor blade, cut around each square (B). Use removable tape to keep the posterboard and the straight edge from shifting while you are cutting.



This mat (C) will give you a low-cost way to experiment with the arrangement and orientation of your collage pieces until you find the combination you like best. A piece of foam core cut to the same size will sandwich your collage until you decide to frame it.

